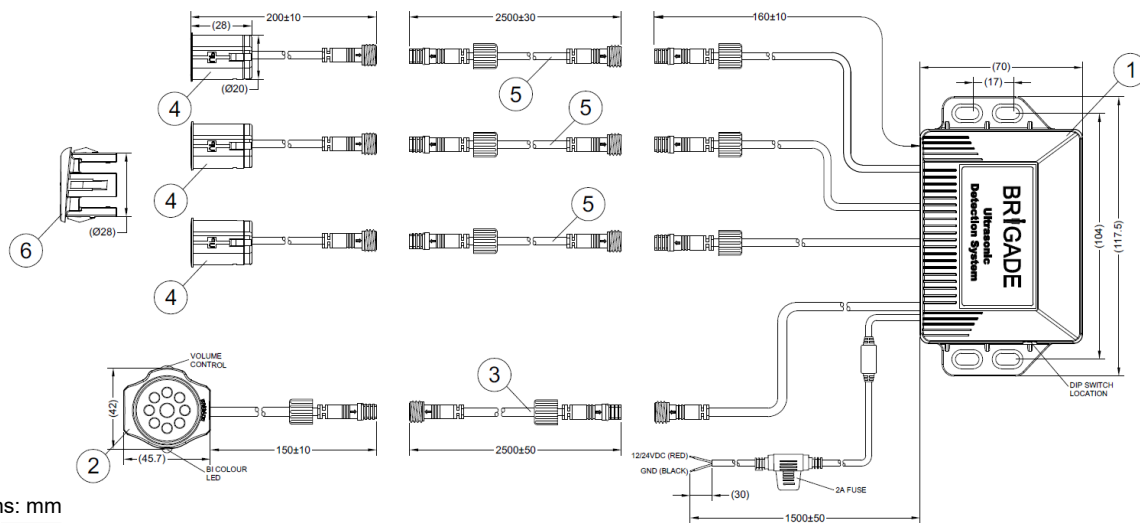


Product Specification

Brigade Model Number: CS-3100
Brigade Part Number: 5261



Dimensions: mm

Product Specification

Technical Specifications

- Operating Voltage: 12/24Vdc
- Current Consumption: 200mA @ 12Vdc
- Power Consumption: 2.4 Watts @ 12Vdc
- Buzzer Frequency: 2400Hz ± 200Hz
- Buzzer Volume: 72-90 ±5 dB @ 30cm
- No. of sensors: 3
- No. of detection zones: 3
- Zone distances: Zone 1 = 0.00-0.40m
Zone 2 = 0.40-0.80m
Zone 3 = 0.80-1.00m
- Zone tolerance: ±10cm
- Min sensor height: >40cm
- Max sensor cable length: 10m
- Detection Angle: 90°(H), 60°(V)
- Cable Specification: 24 AWG
- Casing Material: Plastic
- Colour: Black

Environmental Specifications

- Vibration Rating: 5G
- Shock rating: 10G
- Connector IP Rating: IP68
- Operating Temperature: -30° to +80°C
- Storage Temperature: -40° to +85°C

Approved Standards

- CE
- FCC
- 'E' Mark (UNECE Regulation 10 Revision 05)
- RoHS
- HALT

Features

- 0.6m or 1.0m detection range (selectable via dip switch).
- 2 sensitivity levels (selectable via dip switch).
- Buzzer with audible distance warning, LED & adjustable volume control.
- Buzzer will silence if there is no change in detection distance within 4 seconds.
- Environment Learning Mode (ELM) - Prevents false alarms from vehicle ancillary equipment intruding into the first 1m of the detection zone.
- Detection within 200ms.
- Configurable sensor mounting (through hole or under slung).
- Common components throughout UDS range.

Package Contents

- 1 x CS-3100-ECU - System ECU (1)
- 1 x UDS-001BZ - System Buzzer (2)
- 1 x UDS-2.5BC - 2.5m Buzzer Cable (3)
- 3 x UDS-000HSS - High Sensitivity Sensor (4)
- 3 x UDS-2.5SC - 2.5m Sensor Cable (5)
- 3 x UDS-11SS - 11° Sensor Sleeve (6)
- 3 x UDS-18SS - 18° Sensor Sleeve (not shown)
- 3 x UDS-26SS - 26° Sensor Sleeve (not shown)
- 1 x UDS-IG - Installation Guide (not shown)

Dipswitch Configuration:

